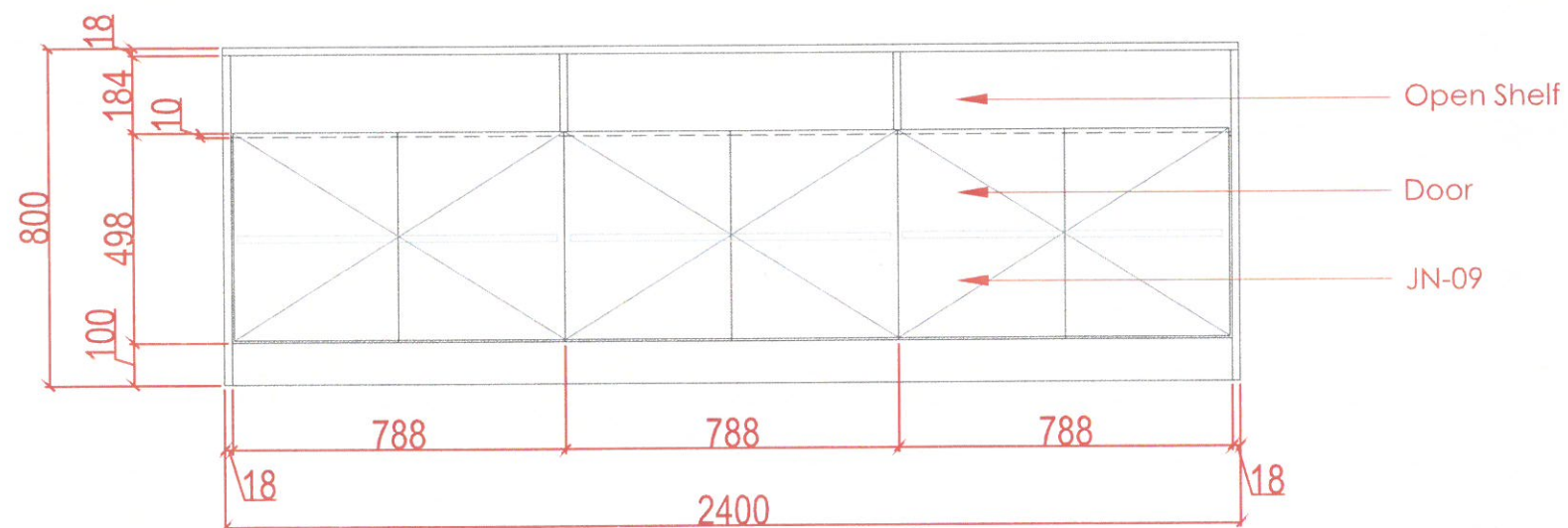
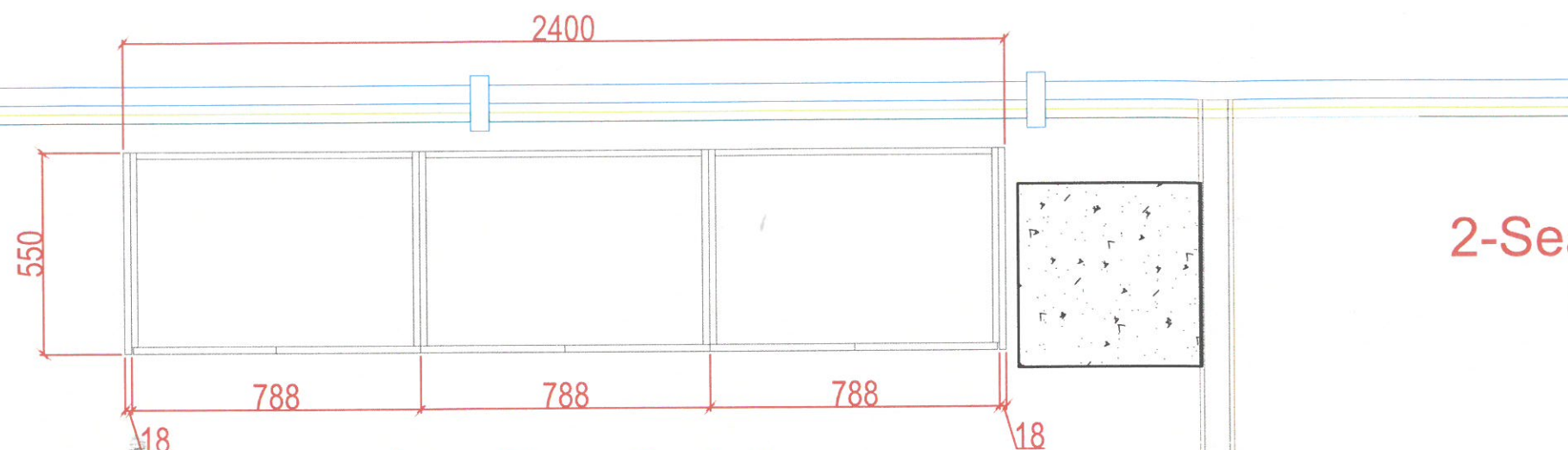
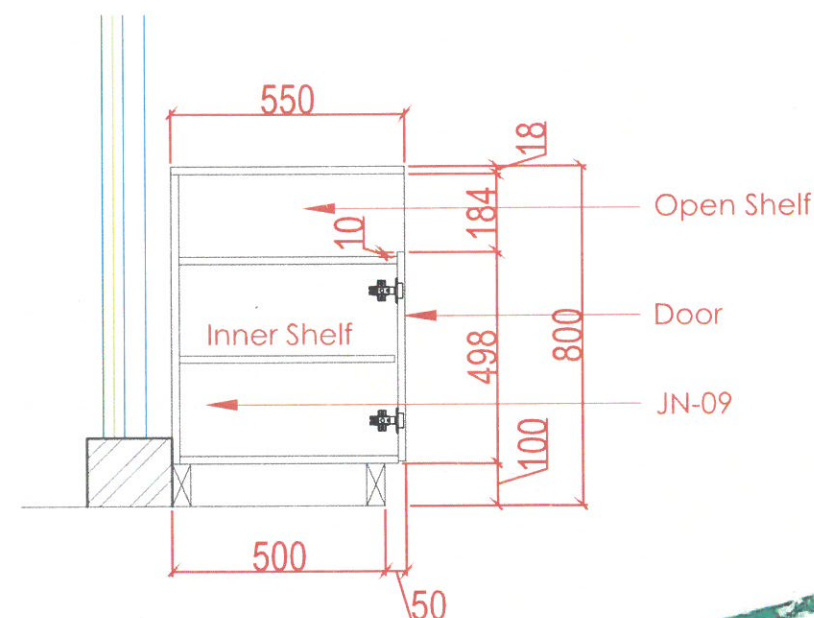


2-Seater Open Office SIDEBOARD 3rd Floor

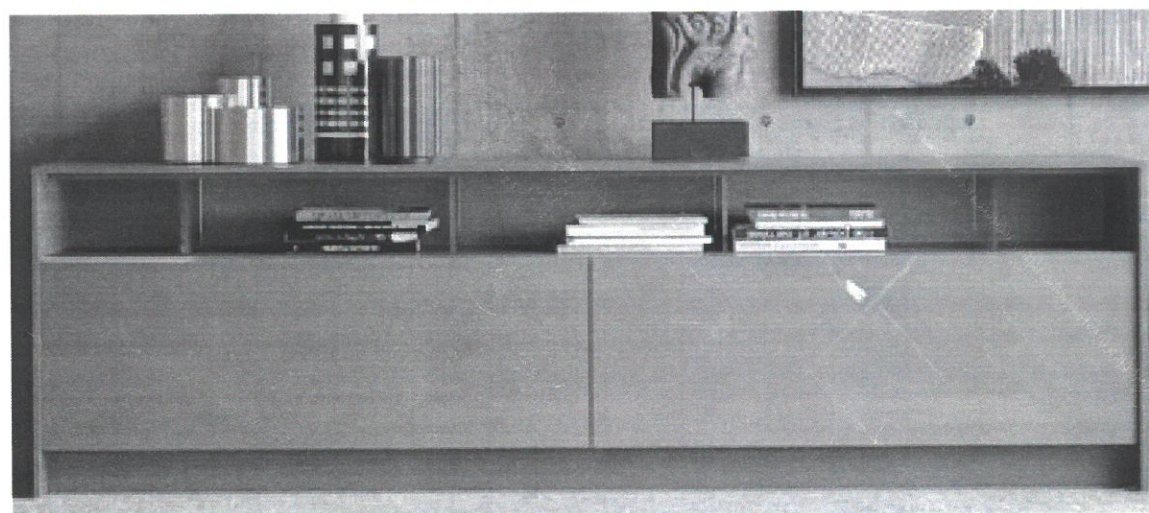
Floor Plan Details



Elevation - Details



Sectional Details



FINISHES

DIVIDER PANEL: JN-09



Hinges - 12 pcs
Handle or push to open??? - 6 pcs

FOR APPROVAL

Project No. : ---
Scale : N/A
Drawn by : OBJ
Checked : OBJ
Cad File : CAD_FILE

Sheet title
3rd FLOOR
2-Seater Open Office
SIDEBOARD
Floor Plan / Elevation / Sections

Dwg No. No.
WS-DS-SD-ND-002 SHEET 1